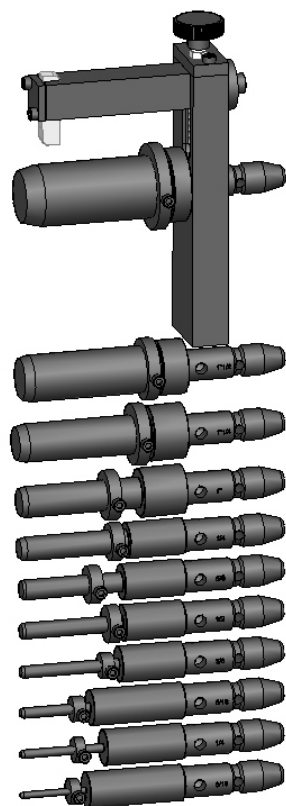


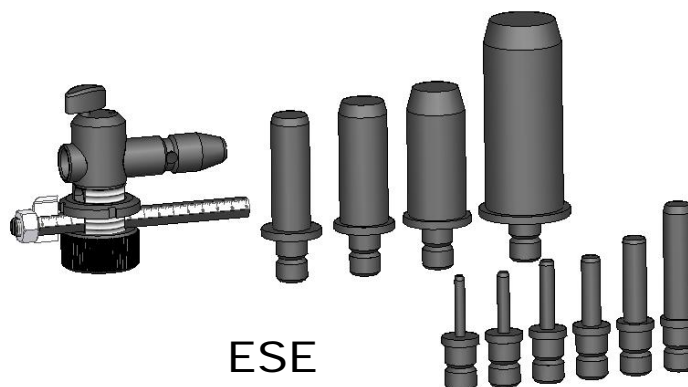
External Skiving tools – Range Overview



3 x CHOICES ARE AVAILABLE



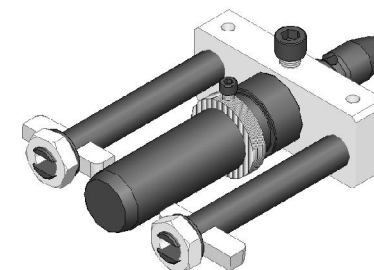
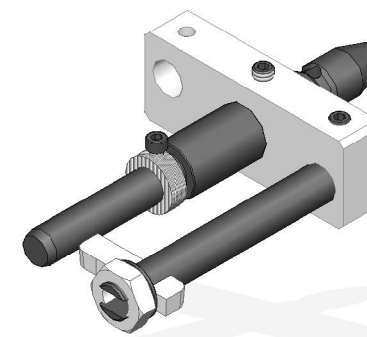
ESA



ESE

Compatibility of Tools / Machine

ESA	M205+
ESE	M50 SKY+
ESP1 / ESP2	M50 SKY+ M205 SKY+



ESP1 – ESP2



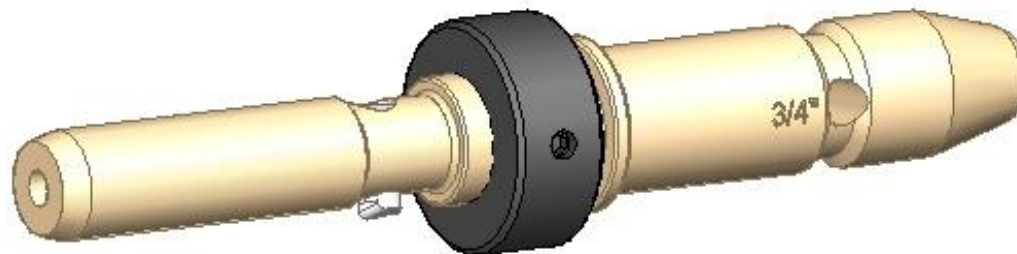
Internal Skiving tools - IS

**ONLY ONE SELECTION POSSIBLE !
COMPATIBLE WITH ALL MACHINES**



Package of 7 IS Tools (IS 13-50):

1/2", 5/8", 3/4", 1", 1 1/4", 1 1/2", 2"
P/N 14742 – SAP ESS3430NKTIS



View of IS Tool

Ex. shown IS19 (for 3/4" hose)

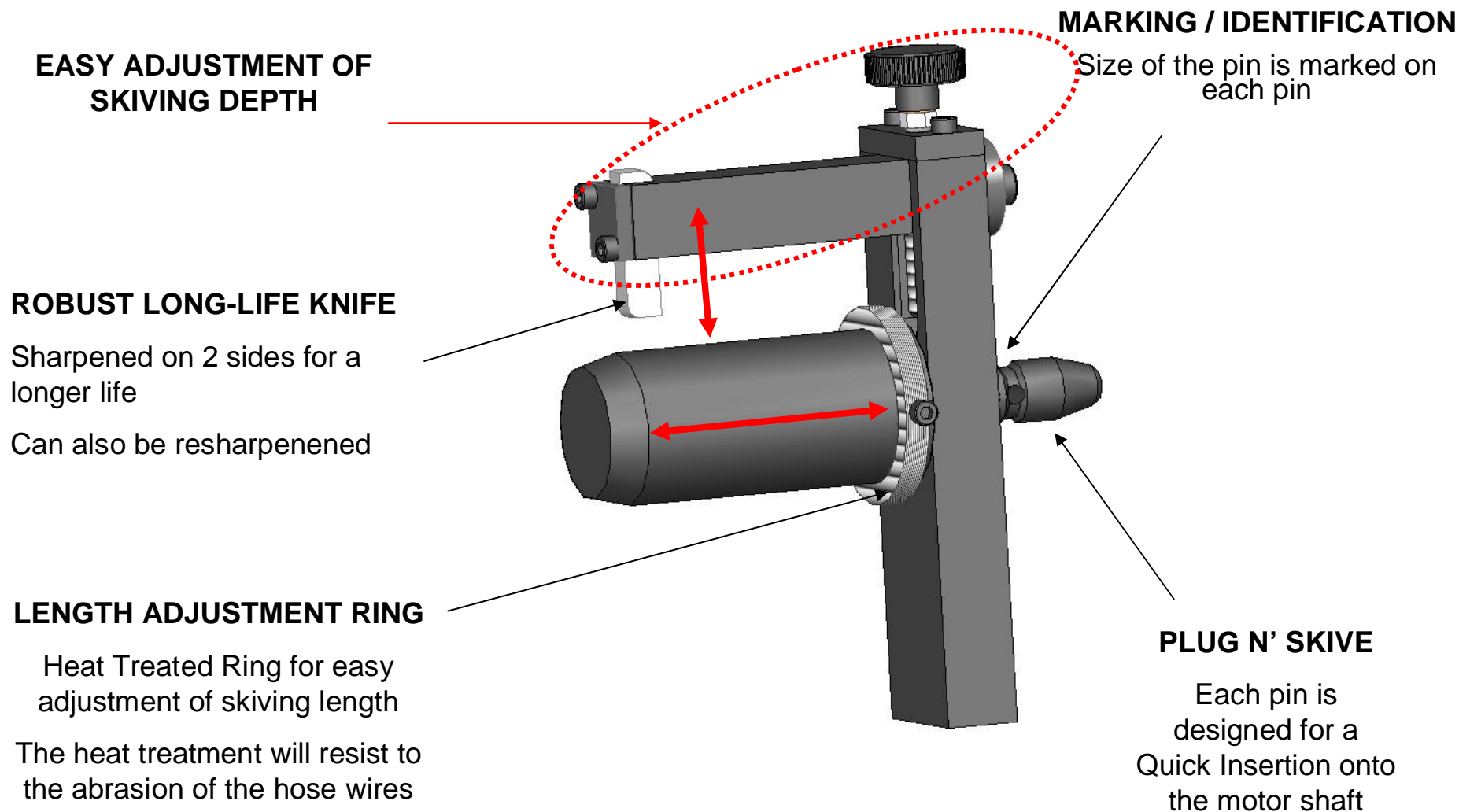
Also available for "special" hose sizes

Ø 3/8"

Ø 2 1/2"

Ø 3"

Product Focus : **ESA** (External Skiing Adjustable System)

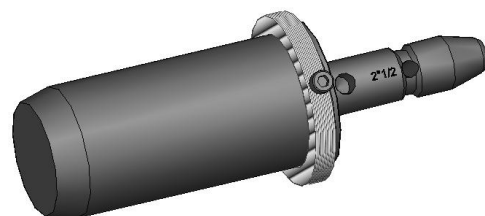
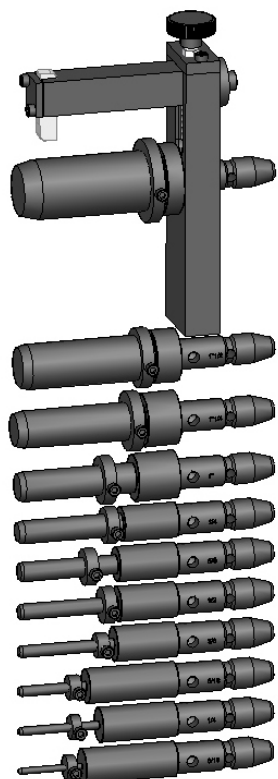


Product Focus : ESA



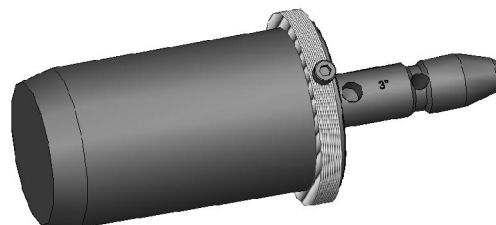
AVAILABLE FOR 2 ½'' & 3''

F For safety, these tools must use a skiving machine with a rotation speed regulation



ESA 63 (2 ½'')

P/N 14886 – SAP ESS3430NESA63



ESA 76 (3'')

P/N 14887 – SAP ESS3430NESA76

ESA Tools are compatible with the following machine :

M 205 SKY+



ESA Package 11 Mandrels

Includes Skiving Tool + 11 Skiving Mandrels
(Ø3/16'', 1/4'', 5/16'', 3/8'', 1/2'', 5/8'', 3/4'', 1'', 1 ¼'', 1 ½'', 2'') P/N 14741- SAP ESS3430NKTESA

Product Focus : **ESE** (External Skiving Economic System)



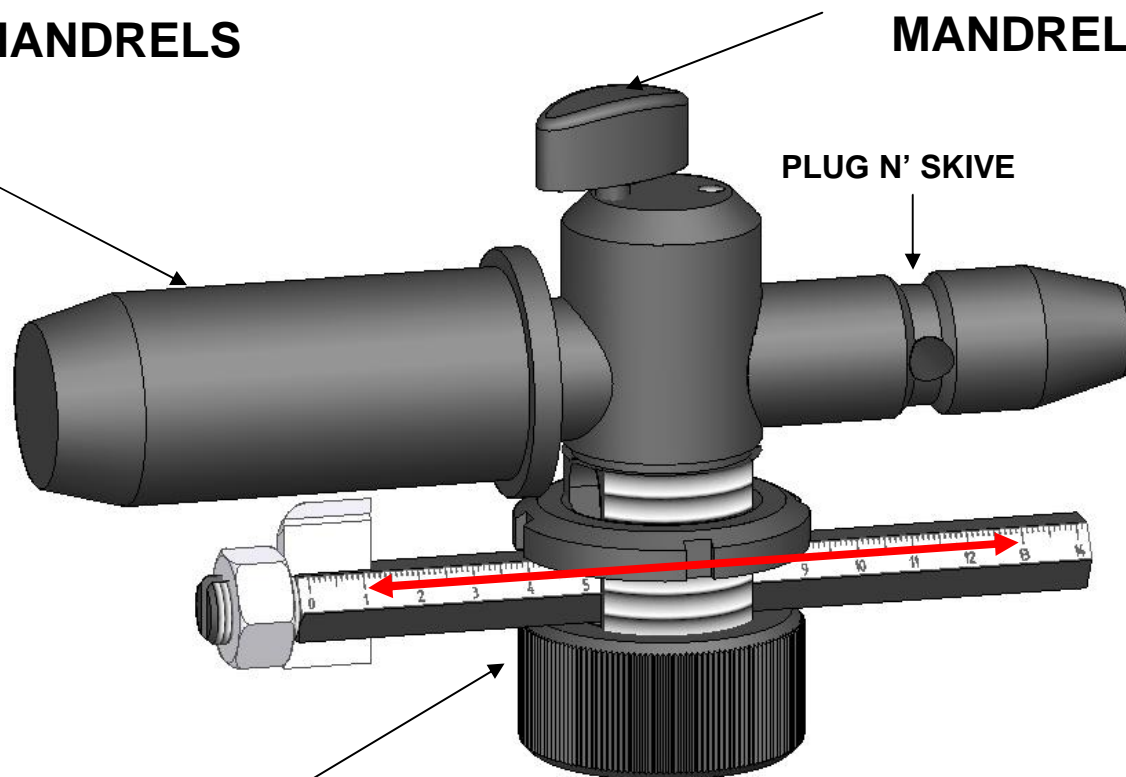
Replaces our reference ODER

11 x INTERCHANGEABLE MANDRELS



LOCKING OF
MANDREL

PLUG N' SKIVE



EASY & SIMPLE
ADJUSTMENT OF LENGTH &
DEPTH

Product Focus : ESE



ESE 6/50 Package

includes Knife Tool + 10 mandrels

Ø ¼", 3/8", ½", 5/8", ¾", 1", 1 ¼", 1 ½", 2"

P/N 14745 – SAP ESS3430NKTESE

ESE Tool is compatible
with the following machine



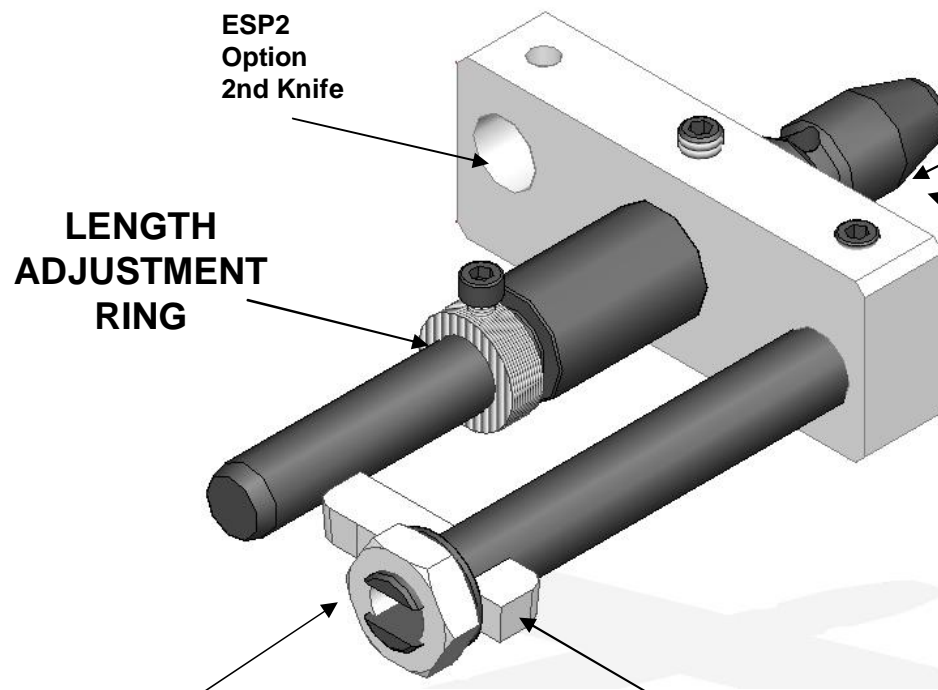
M 50 SKY +

Product Focus : ESP (External Skiving Production System)



Replaces our reference "ODEM"

ESP Tools are individual "Skiving Heads" meant to be pre-set to right depth and length for more productivity (Adjust One Time)



ESP2
Option
2nd Knife

LENGTH
ADJUSTMENT
RING

**STRONG & SIMPLE
TIGHTENING OF THE KNIFE**

ROBUST KNIFE

2 sides can be used,
can be resharpened

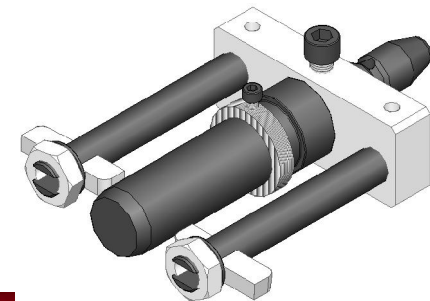
**MARKING &
IDENTIFICATION**

Each tool is marked
with the size

PLUG N' SKIVE

Design allows Quick
Insertion of the tool
onto the motor shaft

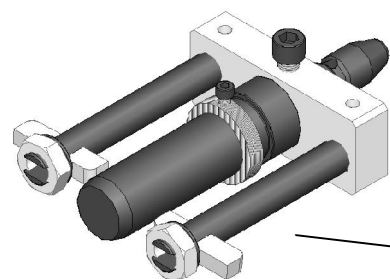
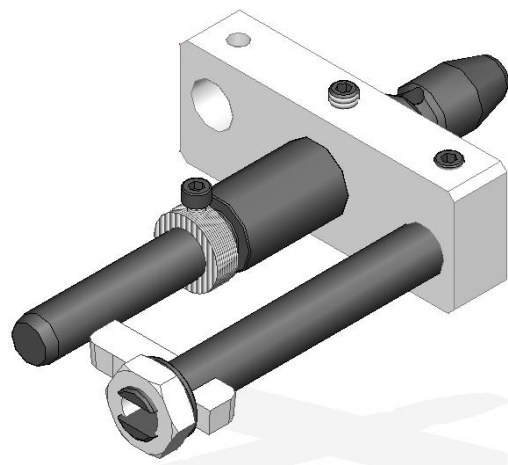
Possibility to add a 2nd Knife for
faster & cleaner skive (**ESP2**)



Product Focus : ESP



**AVAILABLE
FROM 3/16" UP TO 3"**



ESP 05 (3/16")	P/N 14845	ESS3430NESP5
ESP 06 (1/4")	P/N 14846	ESS3430NESP6
ESP 08 (5/16")	P/N 14847	ESS3430NESP8
ESP 10 (3/8")	P/N 14848	ESS3430NESP10
ESP 12 (1/2")	P/N 14849	ESS3430NESP12
ESP 16 (5/8")	P/N 14850	ESS3430NESP16
ESP 19 (3/4")	P/N 14851	ESS3430NESP19
ESP 25 (1")	P/N 14852	ESS3430NESP25
ESP 31 (1 1/4")	P/N 14853	ESS3430NESP31
ESP 38 (1 1/2")	P/N 14854	ESS3430NESP38
ESP 51 (2")	P/N 14743	ESS3430NESP51
ESP 63 (2 1/2")	P/N 14836	ESS3430NESP63
ESP 76 (3")	P/N 14837	ESS3430NESP76

OPTION ESP2 (2nd Knife)
Order Tool ESP1 + P/N 14835 – SAP ESS3430N2KNESP

ESP are compatible with :

M50 SKY +



M 205 SKY +

